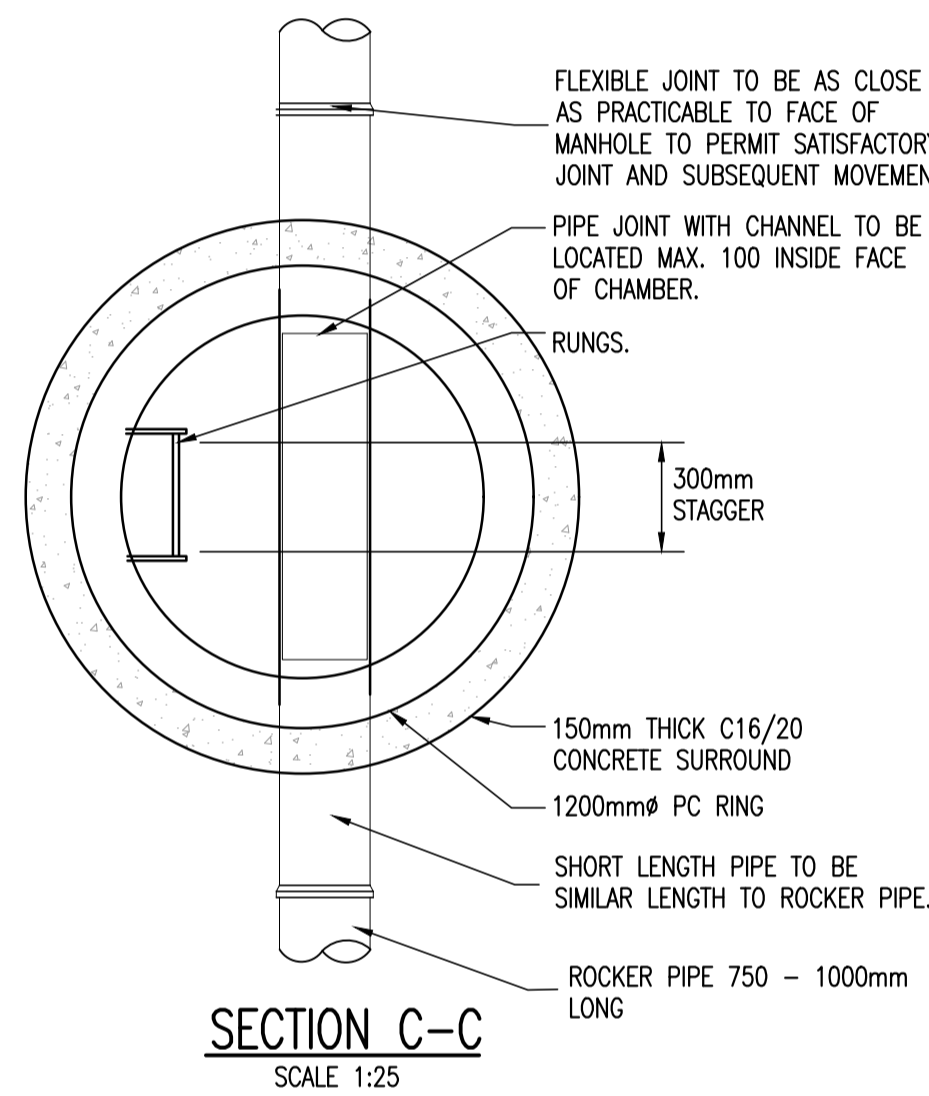
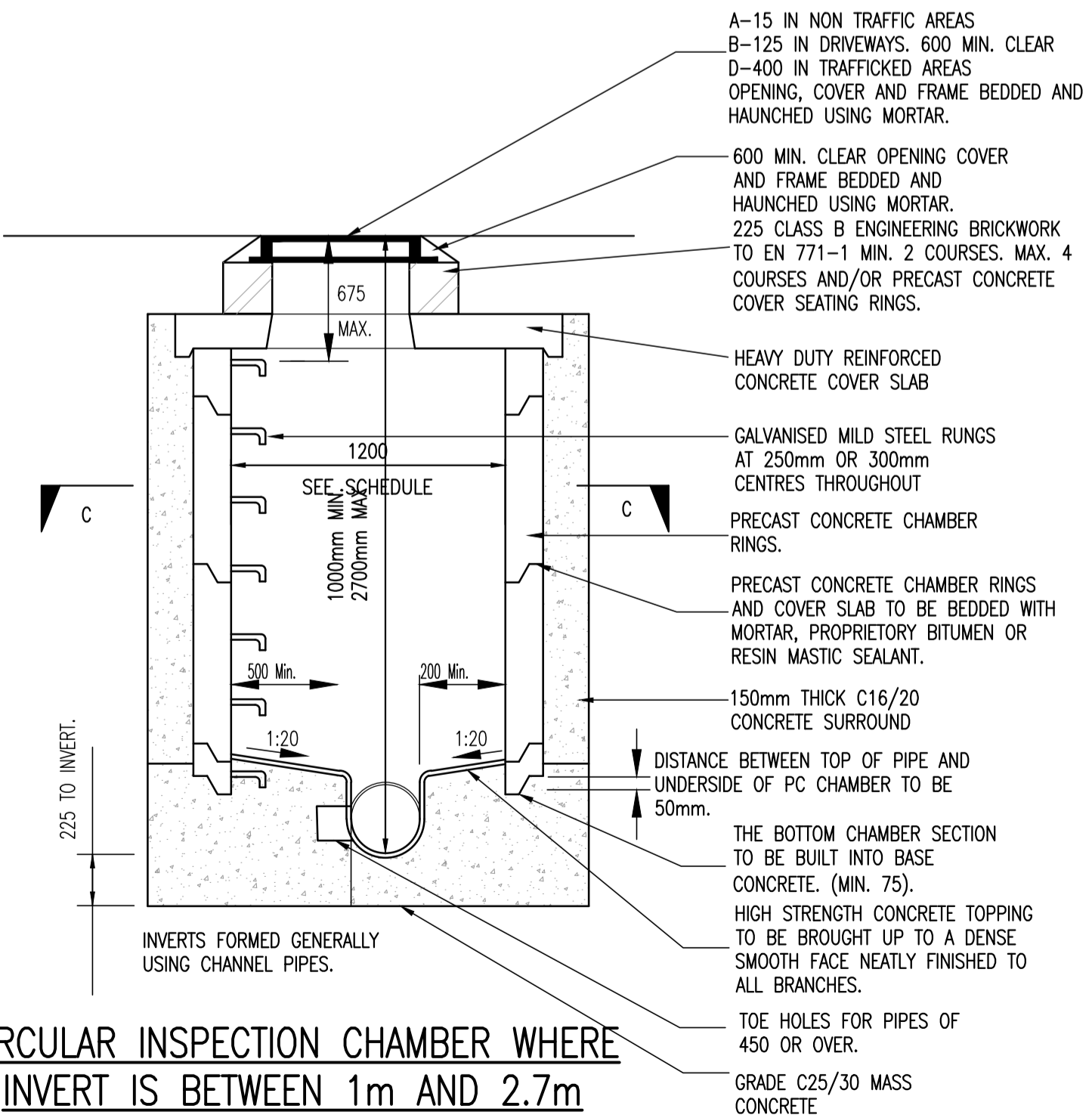


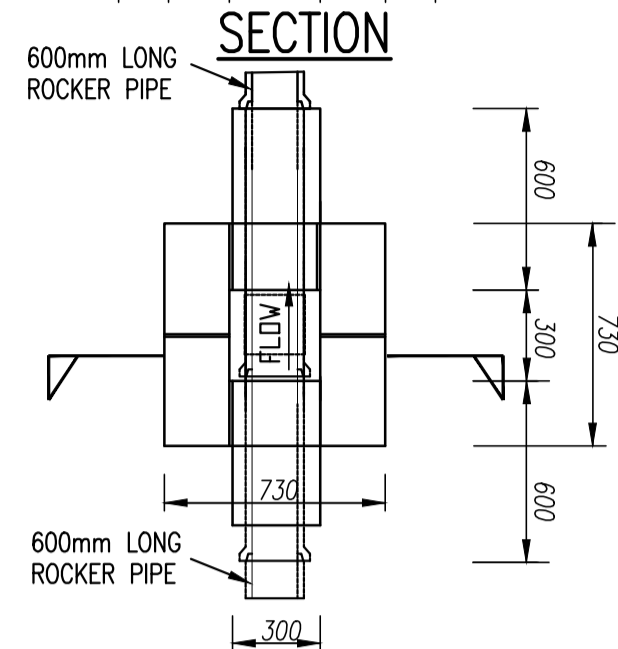
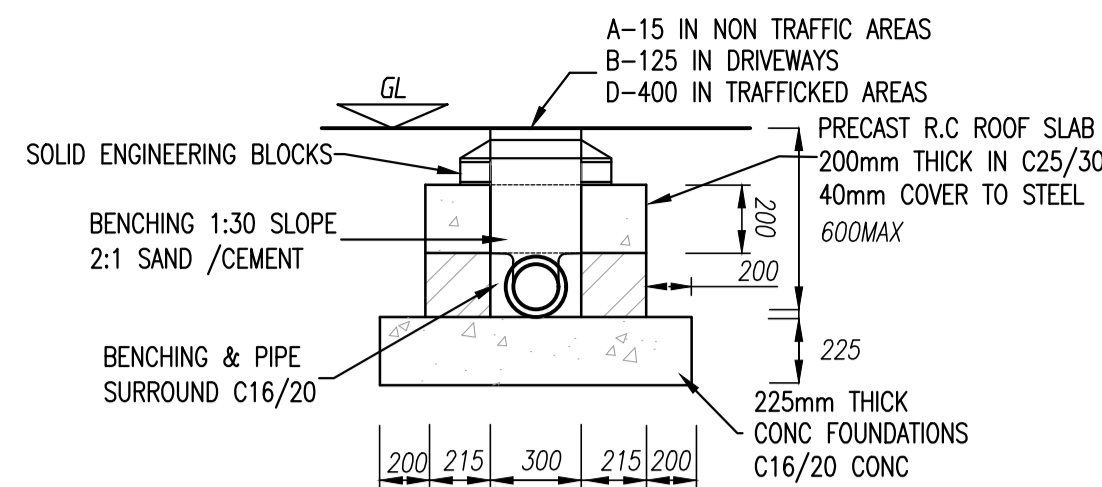
PLAN
CIRCULAR INSPECTION CHAMBER WHERE
INVERT IS 0.6m OR LESS BUILDING
REGULATIONS TGD SECTION H TABLE 9
SCALE 1:25



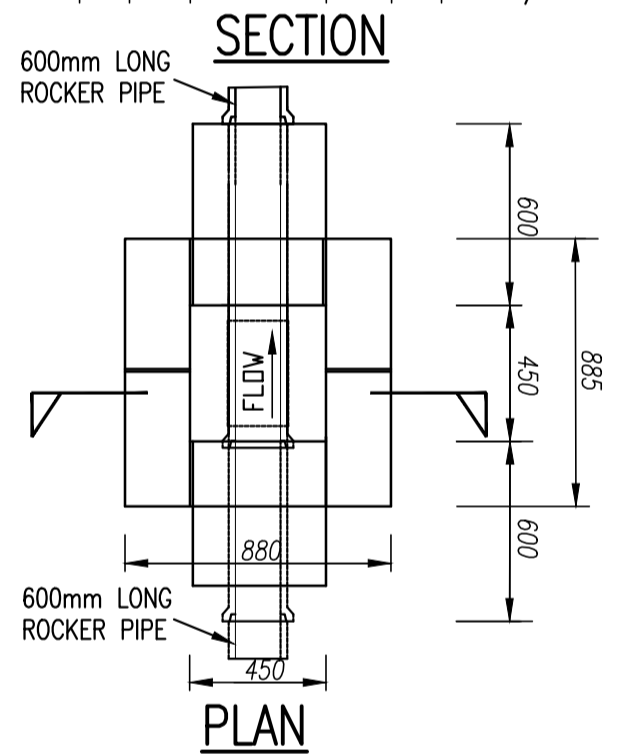
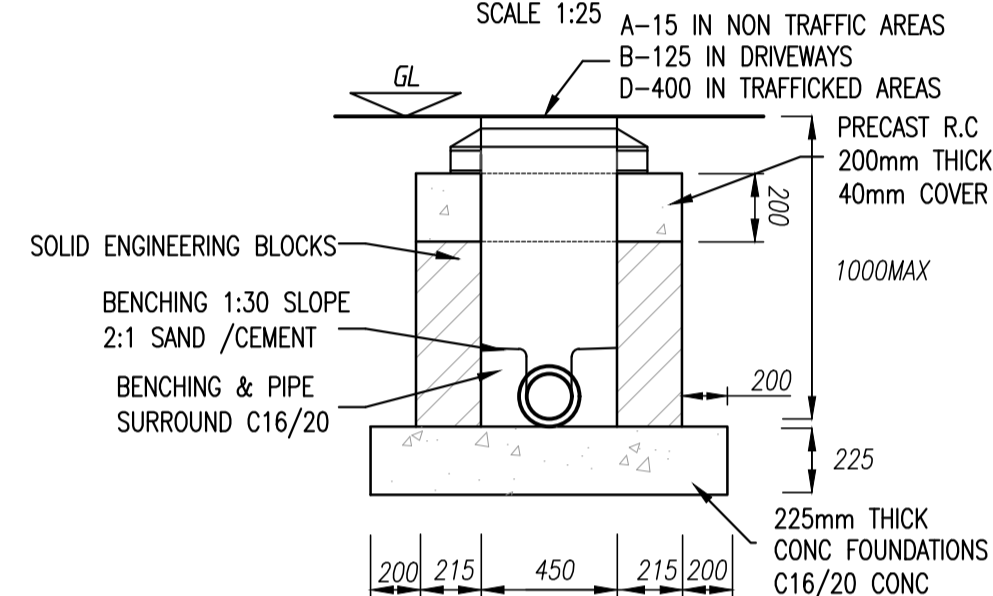
SECTION C-C
SCALE 1:25



**CIRCULAR INSPECTION CHAMBER WHERE
INVERT IS BETWEEN 1m AND 2.7m
BUILDING REGULATIONS TGD SECTION H
TABLE 9**
SCALE 1:25



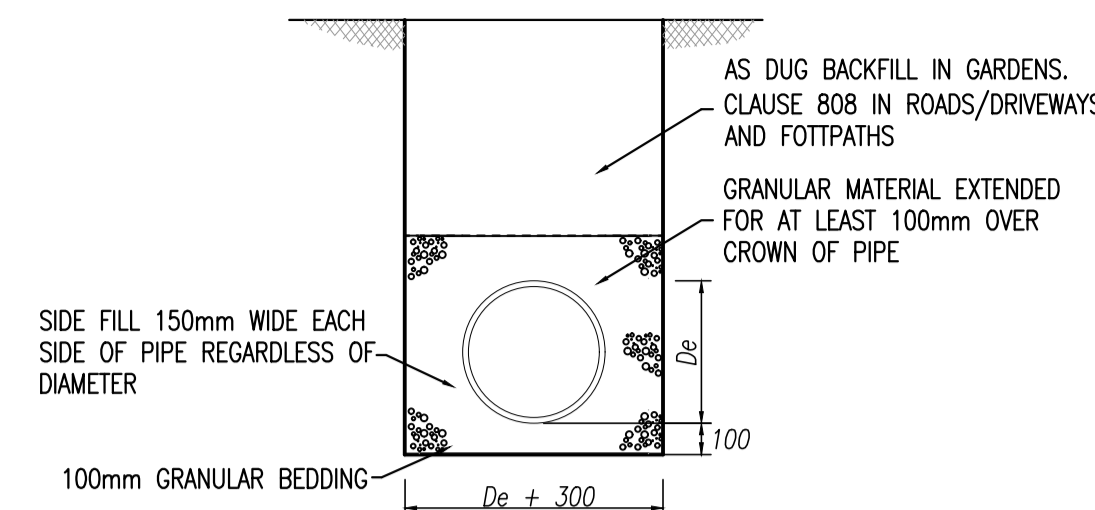
**INSPECTION CHAMBER WHERE INVERT IS 0.6m OR LESS
BUILDING REGULATIONS TGD SECTION H TABLE 9**
SCALE 1:25



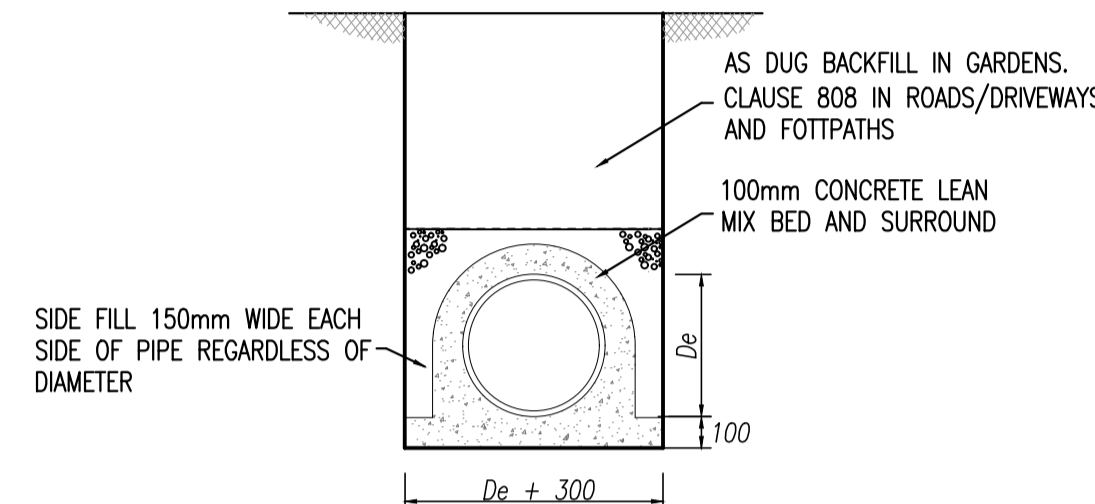
**INSPECTION CHAMBER WHERE INVERT IS
1m OR LESS BUILDING REGULATIONS
TGD SECTION H TABLE 9**

Type	Depth to (m)	Internal Sizes		Cover Sizes	
		length x width (mm x mm)	Circular (mm)	length x width (mm x mm)	Circular (mm)
Rodding eye					
Access Fitting					
small	0.6 or less	150 x 100	150	150 x 100	150
large		300 x 100	-	300 x 100	-
Inspection Chamber	0.6 or less	300 x 300	190*	300 x 300	190*
	1.0 or less	450 x 450	450	450 x 450	450**
Manhole	1.5 or less	1200 x 750	1000	600 x 600	600
	over 1.5	1200 x 750	1200	600 x 600	600
	over 2.7	1200 x 840	1200	600 x 600	600
Shaft	over 2.7	900 x 840	900	600 x 600	600

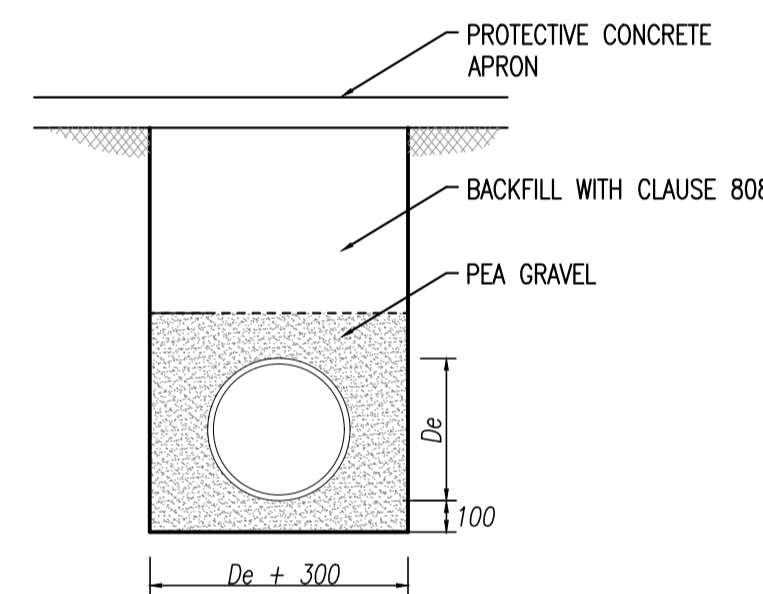
Note:
* For clayware or plastics may be reduced to 430mm in order to provide support for cover and frame
** Drains up to 150mm



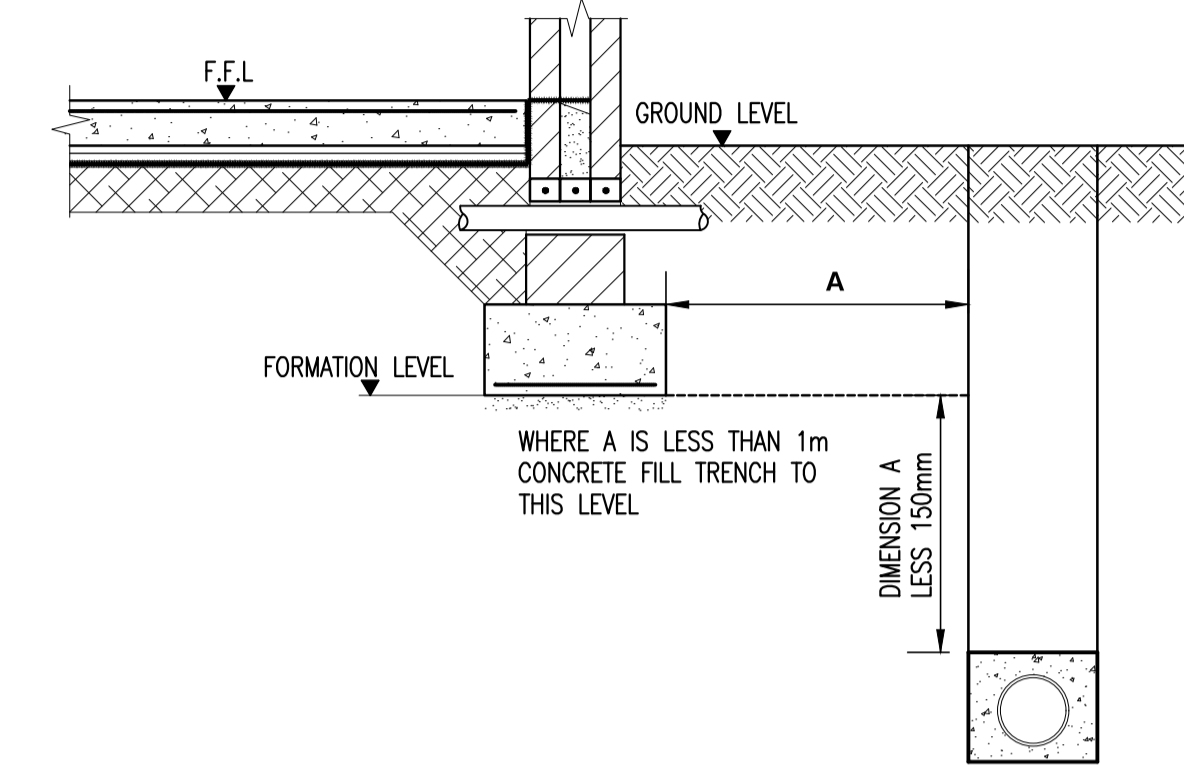
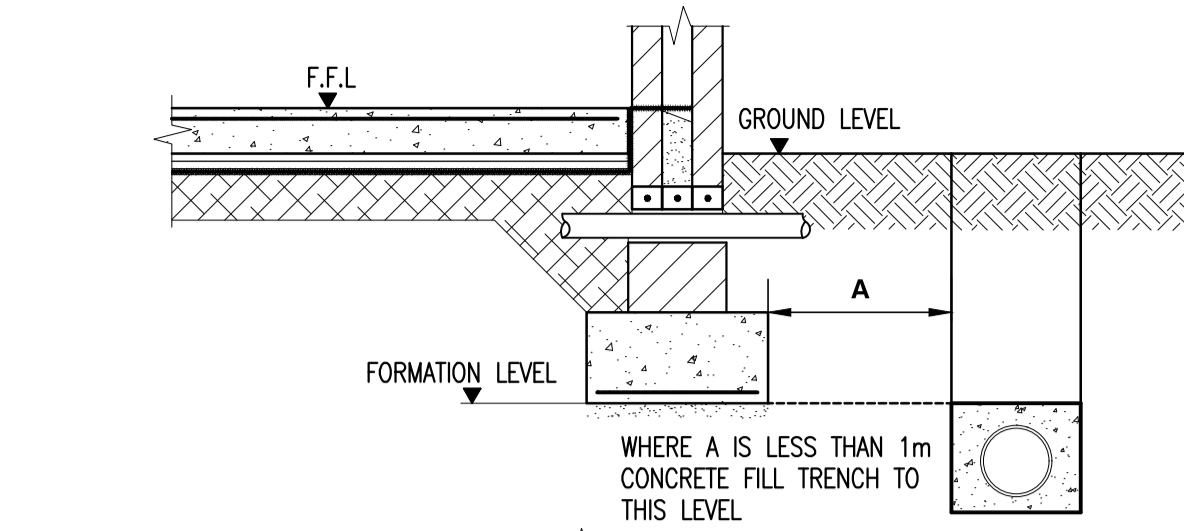
**PIPES BEDDED IN GRANULAR MATERIAL
COVER > 0.9m IN ROADS
COVER > 0.6m IN GARDENS**
SCALE 1:25



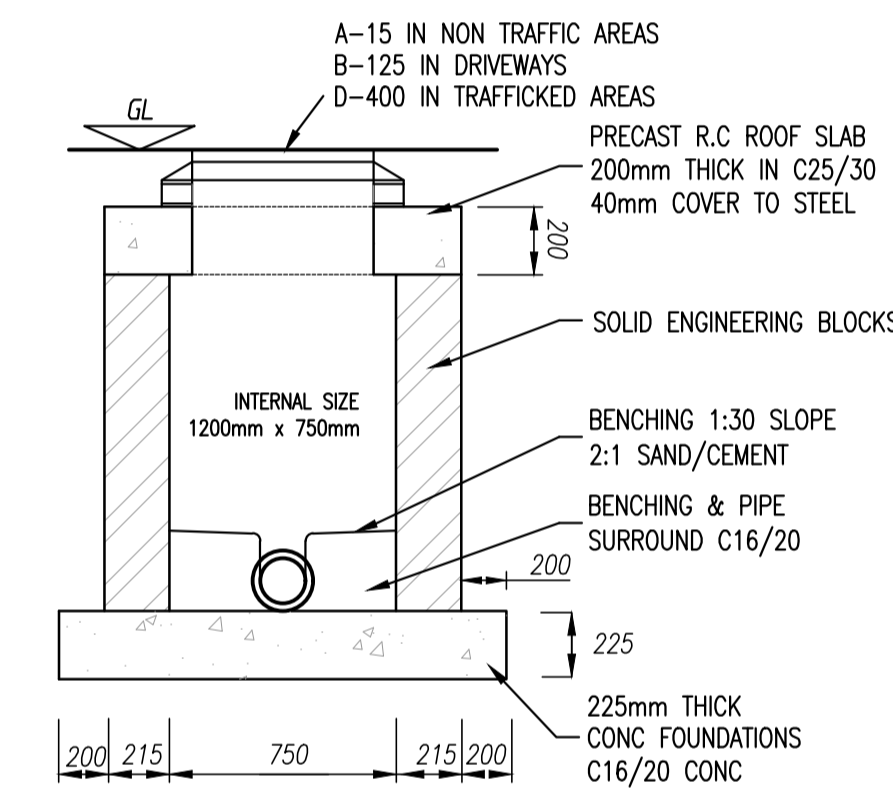
**PIPES BEDDED IN GRANULAR MATERIAL
COVER < 0.9m IN ROADS
COVER < 0.6m IN GARDENS**
SCALE 1:25



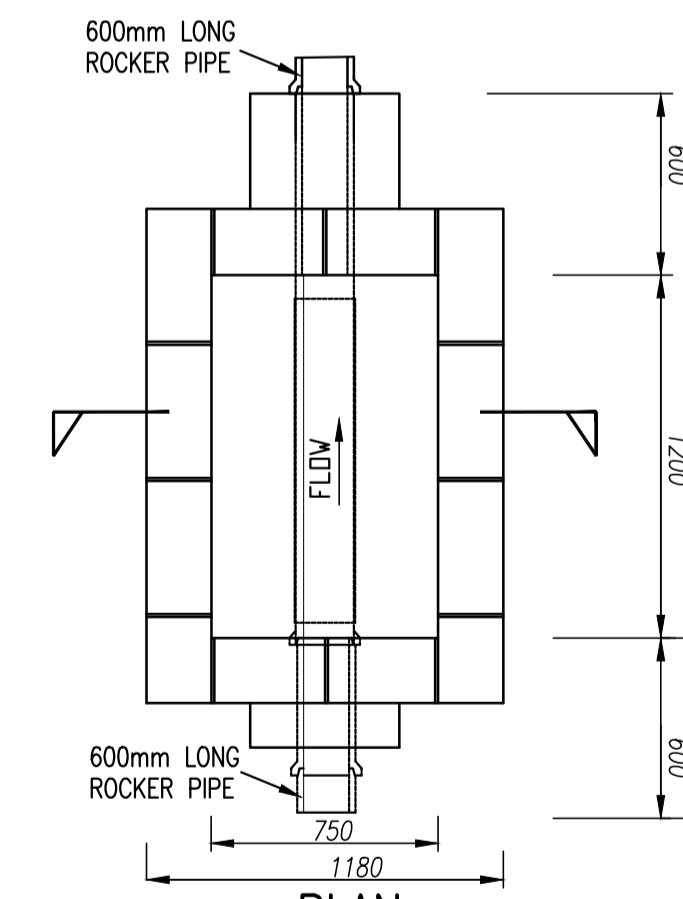
**PIPES BEDDING ALTERNATIVE DETAIL
COVER < 0.9m IN ROADS
COVER < 0.6m IN GARDENS**
SCALE 1:25



TYPICAL DETAIL WHERE PIPE RUNS NEAR BUILDINGS
SCALE 1:25



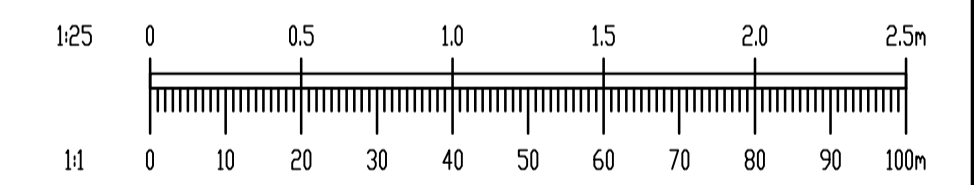
SECTION



**INSPECTION CHAMBER DEPTH TO INVERT IS
BETWEEN 1m AND 2.7m BUILDING REGULATIONS
TGD SECTION H TABLE 9**
SCALE 1:25

NOTES:

- DO NOT SCALE. USE FIGURED DIMENSIONS ONLY.
- THIS DRAWING IS TO BE READ IN CONJUNCTION WITH ALL OTHER RELEVANT ARCHITECTURAL AND ENGINEERING DRAWINGS.
- ALL WORKS TO BE CARRIED OUT IN ACCORDANCE WITH THE REQUIREMENTS OF THE BUILDING REGULATIONS 2010 SECTION H "DRAINAGE AND WASTE WATER DISPOSAL" AND WITH LOCAL AUTHORITY REQUIREMENTS
- ANY ALTERNATIVE DETAILS PROPOSED BY THE CONTRACTOR SHALL BE SUBMITTED TO THE ENGINEER AT LEAST 2 WEEKS PRIOR TO THE CONSTRUCTION OF THE DRAIN
- MINIMUM SPACING OF ACCESS POINTS TO BE IN ACCORDANCE WITH BUILDING REGULATIONS TECHNICAL GUIDANCE DOCUMENT SECTION 4 TABLE 10
- DETAILS OF MATERIALS FOR CONSTRUCTION REFER TO BUILDING REGULATIONS TECHNICAL GUIDANCE DOCUMENT SECTION 4 TABLE 11
- BACKFILL OF ALL INSPECTION CHAMBERS TO BE 808 BACKFILL IN 200mm LAYERS
- INSTALLATION OF PLASTIC PIPES AND FITTINGS, GULLIES, AJS ETC TO BE STRICTLY IN ACCORDANCE WITH MANUFACTURERS INSTRUCTIONS



13/04/22	ISSUED FOR PLANNING	PW	EC
REV. DATE	AMENDMENT	DRN	APPD

**STATUS FOR PLANNING ONLY
NOT FOR CONSTRUCTION**

Waterman Moylan
Engineering Consultants
BLOCK 8, EASTPOINT BUSINESS PARK, ALFIE BYRNE ROAD,
DUBLIN D03 H3F4 IRELAND.
Tel: (01) 864 8900 Fax: (01) 661 3618
Email: info@waterman-moylan.ie www.waterman-moylan.ie

CLIENT **J. MURPHY (DEVELOPMENTS) LIMITED**
ARCHITECT **PCOT ARCHITECTS**

PROJECT **FOSTERSTOWN NORTH SHD
FOSTERSTOWN, SWORDS, Co. DUBLIN**

TITLE **PRIVATE SURFACE WATER DRAINAGE DETAILS**

DRAWN PW	DESIGNED EC	APPROVED JG	DATE APRIL 2022
SCALE 1:25 @ A1	JOB NO. 17-062	DRG. NO. P231	REVISION -